

# Computer simulation of Wheeler's delayed-choice experiment with photons

S. ZHAO<sup>1</sup>, S. YUAN<sup>1</sup>, H. DE RAEDT<sup>1(a)</sup> and K. MICHIELSEN<sup>2</sup>

<sup>1</sup> *Department of Applied Physics, Zernike Institute for Advanced Materials, University of Groningen Nijenborgh 4, NL-9747 AG Groningen, The Netherlands, EU*

<sup>2</sup> *EMBD - Vlasakker 21, B-2160 Wommelgem, Belgium, EU*

received 7 December 2007; accepted in final form 24 March 2008  
published online 7 May 2008

PACS 02.70.-c – Computational techniques; simulations  
PACS 03.65.-w – Quantum mechanics

**Abstract** – We present a computer simulation model of Wheeler's delayed-choice experiment that is a one-to-one copy of an experiment reported recently (JACQUES V. *et al.*, *Science*, **315** (2007) 966). The model is solely based on experimental facts, satisfies Einstein's criterion of local causality and does not rely on any concept of quantum theory. Nevertheless, the simulation model reproduces the averages as obtained from the quantum-theoretical description of Wheeler's delayed-choice experiment. Our results prove that it is possible to give a particle-only description of Wheeler's delayed-choice experiment which reproduces the averages calculated from quantum theory and which does not defy common sense.

Copyright © EPLA, 2008

**Introduction.** – According to the wave-particle duality, a concept of quantum theory, photons exhibit both wave and particle behavior depending upon the circumstances of the experiment [1]. In 1978, Wheeler proposed a gedankenexperiment [2], a variation on Young's double-slit experiment, in which the decision to observe wave or particle behavior is made after the photon has passed the slits. The pictorial description of this experiment defies common sense: The behavior of the photon in the past is said to be influenced changing the representation of the photon from a particle to a wave.

Recently, Jacques *et al.* reported an almost ideal experimental realization of Wheeler's delayed-choice experiment [3]. The experimental setup (see fig. 1) consists of a single-photon source, a Mach-Zehnder interferometer, with at the output side a beam splitter ( $BS_{output}$ ) of which the presence can be controlled by a voltage applied to an electro-optic modulator (EOM) and detectors [3]. Although the detection events are the only experimental facts, the pictorial description of Jacques *et al.* [3] is as follows: The decision to apply a voltage to the EOM is made after the photon has passed  $BS_{input}$  but before the photon enters  $BS_{output}$ . If no voltage is applied to the EOM (open configuration), then the arrival of a photon at

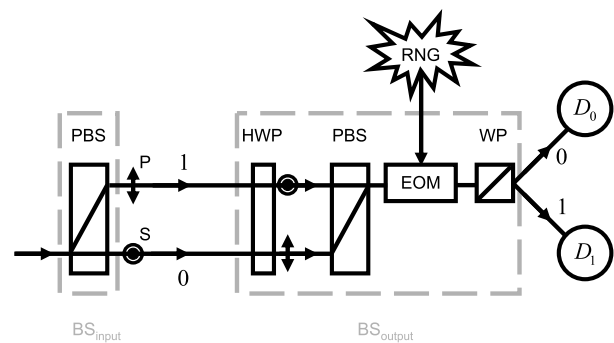


Fig. 1: Schematic diagram of the experimental setup for Wheeler's delayed-choice gedankenexperiment [3]. PBS: polarizing beam splitter; HWP: half-wave plate; EOM: electro-optic modulator; RNG: random number generator; WP: Wollaston prism; P, S: polarization state of the photon;  $D_0$ ,  $D_1$ : detectors.

either detector clearly gives which-way information about the photon within the interferometer (particle behavior), with 50% arriving from either path. When the voltage is applied (closed configuration), the paths interfere and it is impossible to know which path the photon took (wave behavior). Accordingly, the detectors register an interference pattern.

The outcome of delayed-choice experiments [3–8], that is the average results of many detection events, is in

<sup>(a)</sup>E-mail: h.a.de.raedt@rug.nl

agreement with quantum theory. However, the pictorial description [3] defies common sense: The decision to apply a voltage to the EOM after the photon left  $BS_{input}$  but before it passes  $BS_{output}$ , influences the behavior of the photon in the past and changes the representation of the photon from a particle to a wave [3]. On the other hand, quantum theory does not describe single events [1]. Therefore, it should not be a surprise that the application of concepts of quantum theory to the domain of individual events may lead to conclusions that are at odds with common sense.

In this letter, we describe a model that, when implemented as a computer program, performs an event-by-event simulation of Wheeler's delayed-choice experiment. Every essential component of the laboratory experiment (PBS, EOM, HWP, Wollaston prism, detector) has a counterpart in the algorithm. The data is analyzed by counting detection events, just like in the experiment [3]. The simulation model is solely based on experimental facts, satisfies Einstein's criterion of local causality and does not rely on any concept of quantum theory or of probability theory. Nevertheless, our simulation model reproduces the averages obtained from the quantum-theoretical description of Wheeler's delayed-choice experiment but as our approach does not rely on concepts of quantum theory and gives a description on the level of individual events, it provides a description of the experimental facts that does not defy common sense. In a pictorial description of our simulation model, we may speak about "photons" generating the detection events. However, these so-called photons, as we will call them in the sequel, are elements of a model or theory for the real laboratory experiment only. The experimental facts are the settings of the various apparatuses and the detection events. What happens in between activating the source and the registration of the detection events is not measured and is therefore not known. Although the photons "know" exactly which route they followed in the closed configuration of the interferometer (we can always track them during the simulation), they build up an interference pattern at the detector. The appearance of an interference pattern is commonly considered to be characteristic for a wave. In this letter, we demonstrate that, as in experiment, it can also be built up by many photons. These photons have which-way information, never directly communicate with each other and arrive one by one at a detector.

To head off possible misunderstandings, the work presented here is not concerned with the interpretation or an extension of quantum theory. We adopt the point of view that quantum theory has nothing to say about individual events [1]. The fact that there exist simulation algorithms that reproduce the results of quantum theory has no direct implications to the foundations of quantum theory: These algorithms describe the process of generating events at a level of detail that is outside the scope of what current quantum theory can describe. The event-based simulation approach that we describe in

this letter is unconventional in that it does not require knowledge of the probability distribution obtained by solving the quantum problem. The averages given by quantum theory are obtained through a simulation of locally causal, classical dynamical systems. The key point of these dynamical systems is that they are built from units that are adaptive.

It is common practice to use the framework of Kolmogorov's probability theory to construct probabilistic models of phenomena that cannot (yet) be described by a deductive theory. Although Kolmogorov's probability theory provides a rigorous framework to formulate such models, there are ample examples that illustrate how easy it is to make plausible assumptions that create all kinds of paradoxes, also for every-day problems that have no bearing on quantum theory at all [9–13]. Subtle mistakes such as dropping (some of the) conditions, mixing up the meaning of physical and statistical independence, and changing one probability space for another during the cause of an argument can give rise to all kinds of paradoxes [14–16]. To avoid these potential pitfalls, in our simulation approach we strictly stay in the domain of integer arithmetic, that is we do not invoke any concept of probability theory.

This letter builds on earlier work [17–25] that demonstrated that it may be possible to simulate quantum phenomena on the level of individual events without invoking a single concept of quantum theory. Specifically, we have demonstrated that locally connected networks of processing units with a primitive learning capability can simulate event by event, the single-photon beam splitter and Mach-Zehnder interferometer experiments of Grangier *et al.* [26] and Einstein-Podolsky-Rosen experiments with photons [27–29]. Furthermore, we have shown that this approach can be generalized to simulate universal quantum computation by an event-by-event process [19,20]. The algorithms used in our earlier work [17–25] cannot be used to simulate Wheeler's delayed-choice experiment [3]. The latter uses components that respond to the polarization and/or the difference in path length and the algorithms used in our earlier work cannot handle both features simultaneously. In contrast, the more general algorithms described in this letter can also simulate all the experiments covered in our earlier work. Our event by event simulation approach rigorously satisfies Einstein's criterion of local causality and builds up the final outcome that agrees with quantum theory event by event, as observed in real experiments.

**Simulation model.** – The simulation algorithm can be viewed as a message-processing and message-passing process: It routes messengers through a network of units that process messages. In a pictorial description, the photon is the messenger, carrying a message representing its phase and polarization. The processing units play the role of the components of the laboratory experiment and the network represents the complete experimental

setup. Some processing units consist of an input stage (a standard linear adaptive filter), a transformation stage and an output stage. The input (output) stage may have several channels at (through) which messengers arrive (leave). Other processing units are simpler in the sense that the input stage is not necessary for the proper functioning of the device. A message is represented by a vector. As a messenger arrives at an input channel of a processing unit, the input stage updates its internal state, represented by a vector, and sends the message together with its internal state to the transformation stage that implements the operation of the particular device. Then, a new message is sent to the output stage, using a pseudo-random number to select the output channel through which the messenger will leave the unit. We use pseudo-random numbers to mimic the apparent unpredictability of the experimental data only. The use of pseudo-random numbers is merely convenient, not essential. At any given time, there is only one messenger being routed through the whole network. There is no direct communication between the messengers.

In the experimental realization of Wheeler's delayed-choice experiment by Jacques *et al.* [3] linearly polarized single photons are sent through a polarizing beam splitter (PBS) that together with a second, movable PBS forms an interferometer (see fig. 1). The network of processing units is a one-to-one image of the experimental setup [3] and is therefore not shown. We now describe each of the components of the network in detail.

*Messenger.* Photons are regarded as messengers. Each messenger carries a message represented by a six-dimensional unit vector  $\mathbf{y}_{k,n} = (\cos \psi_{k,n}^H, \sin \psi_{k,n}^H, \cos \psi_{k,n}^V, \sin \psi_{k,n}^V, \cos \xi_{k,n}, \sin \xi_{k,n})$ . The superscript  $H$  ( $V$ ) refers to the horizontal (vertical) component of the polarization and  $\psi_{k,n}^H$ ,  $\psi_{k,n}^V$ , and  $\xi_{k,n}$  represent the phases and polarization of the photon, respectively. It is evident that the representation used here maps one-to-one to the plane-wave description of a classical electromagnetic field [30], except that we assign these properties to each individual message, not to a wave. The subscript  $n \geq 0$  numbers the consecutive messages and  $k=0,1$  labels the channel of the PBS at which the message arrives (see below).

*Polarizing beam splitter.* The processor that performs the event-by-event simulation of a PBS is depicted in fig. 2. It consists of an input stage, a simple deterministic learning machine (DLM) [17–20], a transformation stage (T), an output stage (O) and has two input and two output channels labeled with  $k=0,1$ . We now define the operation of each stage explicitly.

- Input stage: The DLM receives a message on either input channel 0 or 1, never on both channels simultaneously. The arrival of a message on channel 0 (1) is named a 0 (1) event. The input events are represented by the vectors  $\mathbf{v}_n = (1, 0)$  or  $\mathbf{v}_n = (0, 1)$  if

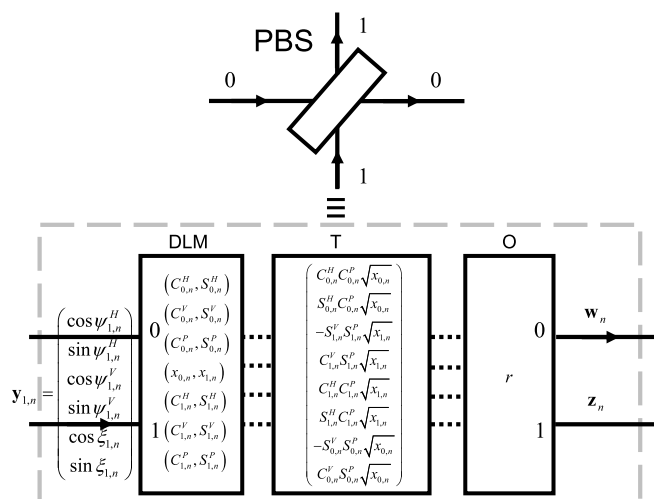


Fig. 2: Diagram of a DLM-based processing unit that performs an event-based simulation of a polarizing beam splitter (PBS). The solid lines represent the input and output channels of the PBS. The presence of a message is indicated by an arrow on the corresponding channel line. The dashed lines indicate the data flow within the PBS.

the  $n$ -th event occurred on channel 0 or 1, respectively. The DLM has six internal registers  $\mathbf{Y}_{k,n}^H = (C_{k,n}^H, S_{k,n}^H)$ ,  $\mathbf{Y}_{k,n}^V = (C_{k,n}^V, S_{k,n}^V)$ ,  $\mathbf{Y}_{k,n}^P = (C_{k,n}^P, S_{k,n}^P)$  and one internal vector  $\mathbf{x}_n = (x_{0,n}, x_{1,n})$ , where  $x_{0,n} + x_{1,n} = 1$  and  $x_{k,n} \geq 0$  for  $k=0,1$  and all  $n$ 's. These seven two-dimensional vectors are labeled by the message number  $n$  because their contents are updated every time the DLM receives a message. Note that the DLM stores information about the last message only. The information carried by earlier messages is overwritten by updating the internal registers.

Upon receiving the  $(n+1)$ -th input event, the DLM performs the following steps: It stores the first two elements of message  $\mathbf{y}_{k,n+1}$  in its internal register  $\mathbf{Y}_{k,n+1}^H = (C_{k,n+1}^H, S_{k,n+1}^H)$ , the middle two elements of  $\mathbf{y}_{k,n+1}$  in  $\mathbf{Y}_{k,n+1}^V = (C_{k,n+1}^V, S_{k,n+1}^V)$ , and the last two elements of  $\mathbf{y}_{k,n+1}$  in  $\mathbf{Y}_{k,n+1}^P = (C_{k,n+1}^P, S_{k,n+1}^P)$ . Then, it updates its internal vector according to the rule [17]

$$x_{i,n+1} = \alpha x_{i,n} + (1 - \alpha) \delta_{i,k}, \quad (1)$$

where  $0 < \alpha < 1$  is a parameter that controls the learning process [17]. Note that by construction  $x_{0,n+1} + x_{1,n+1} = 1$ ,  $x_{0,n+1} \geq 0$  and  $x_{1,n+1} \geq 0$ .

- Transformation stage: The second stage (T) of the DLM-based processor takes as input the data stored in the six internal registers  $\mathbf{Y}_{k,n+1}^H = (C_{k,n+1}^H, S_{k,n+1}^H)$ ,  $\mathbf{Y}_{k,n+1}^V = (C_{k,n+1}^V, S_{k,n+1}^V)$ ,  $\mathbf{Y}_{k,n+1}^P = (C_{k,n+1}^P, S_{k,n+1}^P)$  and in the internal vector  $\mathbf{x}_{n+1} = (x_{0,n+1}, x_{1,n+1})$  and

combines the data into the eight-dimensional vector

$$\mathbf{T} = \begin{pmatrix} C_{0,n+1}^H C_{0,n+1}^P \sqrt{x_{0,n+1}} \\ S_{0,n+1}^H C_{0,n+1}^P \sqrt{x_{0,n+1}} \\ -S_{1,n+1}^V S_{1,n+1}^P \sqrt{x_{1,n+1}} \\ C_{1,n+1}^V S_{1,n+1}^P \sqrt{x_{1,n+1}} \\ C_{1,n+1}^H C_{1,n+1}^P \sqrt{x_{1,n+1}} \\ S_{1,n+1}^H C_{1,n+1}^P \sqrt{x_{1,n+1}} \\ -S_{0,n+1}^V S_{0,n+1}^P \sqrt{x_{0,n+1}} \\ C_{0,n+1}^V S_{0,n+1}^P \sqrt{x_{0,n+1}} \end{pmatrix}. \quad (2)$$

Rewriting the vector  $\mathbf{T}$  as

$$\begin{aligned} \mathbf{T} &= \begin{pmatrix} (C_{0,n+1}^H + iS_{0,n+1}^H) C_{0,n+1}^P \sqrt{x_{0,n+1}} \\ i(C_{1,n+1}^V + iS_{1,n+1}^V) S_{1,n+1}^P \sqrt{x_{1,n+1}} \\ (C_{1,n+1}^H + iS_{1,n+1}^H) C_{1,n+1}^P \sqrt{x_{1,n+1}} \\ i(C_{0,n+1}^V + S_{0,n+1}^V) S_{0,n+1}^P \sqrt{x_{0,n+1}} \end{pmatrix} \\ &\equiv \begin{pmatrix} a_0^H \\ ia_1^V \\ a_1^H \\ ia_0^V \end{pmatrix}, \end{aligned} \quad (3)$$

shows that the operation performed by the transformation stage  $\mathbf{T}$  corresponds to the matrix-vector multiplication in the quantum-theoretical description of a PBS, namely

$$\begin{pmatrix} b_0^H \\ b_0^V \\ b_1^H \\ b_1^V \end{pmatrix} = \begin{pmatrix} 1 & 0 & 0 & 0 \\ 0 & 0 & 0 & i \\ 0 & 0 & 1 & 0 \\ 0 & i & 0 & 0 \end{pmatrix} \begin{pmatrix} a_0^H \\ a_0^V \\ a_1^H \\ a_1^V \end{pmatrix}, \quad (4)$$

where  $(a_0^H, a_0^V, a_1^H, a_1^V)$  and  $(b_0^H, b_0^V, b_1^H, b_1^V)$  denote the input and output amplitudes of the photons with polarization  $H$  and  $V$  in the 0 and 1 channels of a PBS, respectively. Note that in the quantum optical description of a (polarizing) beam splitter the vacuum field must be included. In our simulation model, there is no need to introduce the concept of a vacuum field.

– Output stage: The final stage (O) sends the message

$$\mathbf{w} = \begin{pmatrix} w_{0,n+1}/s_{0,n+1} \\ w_{1,n+1}/s_{0,n+1} \\ w_{2,n+1}/s_{1,n+1} \\ w_{3,n+1}/s_{1,n+1} \\ s_{0,n+1}/s_{2,n+1} \\ s_{1,n+1}/s_{2,n+1} \end{pmatrix}, \quad (5)$$

where

$$\begin{aligned} w_{0,n+1} &= C_{0,n+1}^H C_{0,n+1}^P \sqrt{x_{0,n+1}}, \\ w_{1,n+1} &= S_{0,n+1}^H C_{0,n+1}^P \sqrt{x_{0,n+1}}, \\ w_{2,n+1} &= -S_{1,n+1}^V S_{1,n+1}^P \sqrt{x_{1,n+1}}, \\ w_{3,n+1} &= C_{1,n+1}^V S_{1,n+1}^P \sqrt{x_{1,n+1}}, \\ s_{0,n+1} &= \sqrt{w_{0,n+1}^2 + w_{1,n+1}^2}, \\ s_{1,n+1} &= \sqrt{w_{2,n+1}^2 + w_{3,n+1}^2}, \\ s_{2,n+1} &= \sqrt{w_{0,n+1}^2 + w_{1,n+1}^2 + w_{2,n+1}^2 + w_{3,n+1}^2}, \end{aligned} \quad (6)$$

through output channel 0, if  $w_{0,n+1}^2 + w_{1,n+1}^2 > r$ , where  $0 < r < 1$  is a uniform pseudo-random number. Otherwise, if  $w_{0,n+1}^2 + w_{1,n+1}^2 \leq r$ , the output stage sends through output channel 1 the message

$$\mathbf{z} = \begin{pmatrix} z_{0,n+1}/t_{0,n+1} \\ z_{1,n+1}/t_{0,n+1} \\ z_{2,n+1}/t_{1,n+1} \\ z_{3,n+1}/t_{1,n+1} \\ t_{0,n+1}/t_{2,n+1} \\ t_{1,n+1}/t_{2,n+1} \end{pmatrix}, \quad (7)$$

where

$$\begin{aligned} z_{0,n+1} &= C_{1,n+1}^H C_{1,n+1}^P \sqrt{x_{1,n+1}}, \\ z_{1,n+1} &= S_{1,n+1}^H C_{1,n+1}^P \sqrt{x_{1,n+1}}, \\ z_{2,n+1} &= -S_{0,n+1}^V S_{0,n+1}^P \sqrt{x_{0,n+1}}, \\ z_{3,n+1} &= C_{0,n+1}^V S_{0,n+1}^P \sqrt{x_{0,n+1}}, \\ t_{0,n+1} &= \sqrt{z_{0,n+1}^2 + z_{1,n+1}^2}, \\ t_{1,n+1} &= \sqrt{z_{2,n+1}^2 + z_{3,n+1}^2}, \\ t_{2,n+1} &= \sqrt{z_{0,n+1}^2 + z_{1,n+1}^2 + z_{2,n+1}^2 + z_{3,n+1}^2}. \end{aligned} \quad (8)$$

As mentioned earlier, the use of pseudo-random numbers to select the output channel is not essential. We use pseudo-random numbers to mimic the apparent unpredictability of the experimental data only. Instead of a uniform pseudo-random number generator, any algorithm that selects the output channel in a systematic manner might be employed as well. This will change the order in which messages are being processed but the content of the messages will be left intact and the resulting averages do not change significantly.

*Half-wave plate (HWP).* This device performs a rotation of the polarization of the photon [30]. If the polarization of an incoming photon is at an angle  $\theta$  with respect to the optical axis of the HWP then, after passing the HWP, the polarization of the photon has been rotated

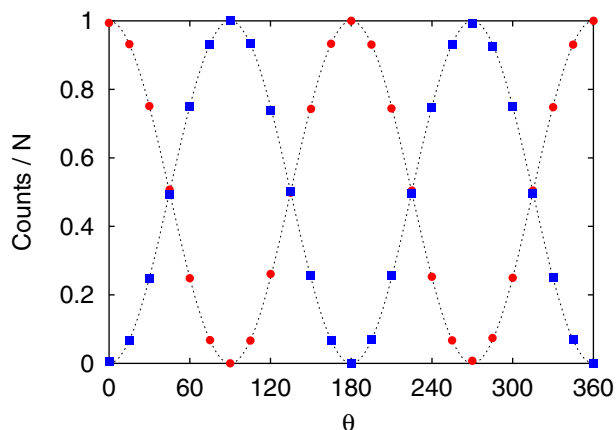


Fig. 3: Simulation results generated by the DLM network of the PBS shown in fig. 2. Input channel 0 receives  $(\cos \psi_0^H, \sin \psi_0^H, \cos \psi_0^V, \sin \psi_0^V, \cos \theta, \sin \theta) = (1, 0, 1, 0, \cos \theta, \sin \theta)$ . Input channel 1 receives no events. After each set of  $N = 10000$  events,  $\theta$  is increased by  $15^\circ$ . Squares and circles give the simulation results for the normalized intensities  $N_0/N$  and  $N_1/N$  as a function of  $\theta$ . Dashed lines represent the results of quantum theory.

by an angle  $2\theta$ . In order to change horizontal polarization into vertical polarization, or vice versa, a HWP is used with its optical axis oriented at  $\pi/4$ . The HWP does not only change the polarization of the photon, but also its phase as can be seen from the wave-mechanical description

$$\begin{pmatrix} b^H \\ b^V \end{pmatrix} = \frac{-i}{\sqrt{2}} \begin{pmatrix} \cos 2\theta & \sin 2\theta \\ \sin 2\theta & -\cos 2\theta \end{pmatrix} \begin{pmatrix} a^H \\ a^V \end{pmatrix}. \quad (9)$$

As a result, for the case  $\theta = \pi/4$ , the polarization of the photon is rotated by an angle  $\pi/2$  and its phase is changed by  $-\pi/2$ .

*Electro-optic modulator (EOM).* This device rotates the polarization of the photon by an angle depending on the voltage applied to the modulator. In the laboratory experiment [3], the EOM is operated such that when a voltage is applied the EOM acts as a HWP that rotates the input polarizations by  $\pi/4$ . In the simulation a pseudo-random number is used to decide to apply a voltage to the EOM or not. Also here we use a pseudo-random number to mimic the experimental procedure to control the EOM [3]. Any other (systematic) sequence to control the EOM can be used as well.

*Wollaston prism.* This device is a PBS with one input channel and two output channels and is simulated as the PBS described earlier. Messengers arrive at one and the same input channel only.

*Detection and data analysis procedure.* Detector  $D_0$  ( $D_1$ ) registers the output events at channel 0 (1). During a run of  $N$  events, the algorithm generates the data set

$$\Gamma = \{x_n, A_n | n = 1, \dots, N; \phi = \phi_1 - \phi_0\}, \quad (10)$$

where  $x_n = 0, 1$  indicates which detector fired ( $D_0$  or  $D_1$ ), and  $A_n = 0, 1$  is a pseudo-random number that is chosen

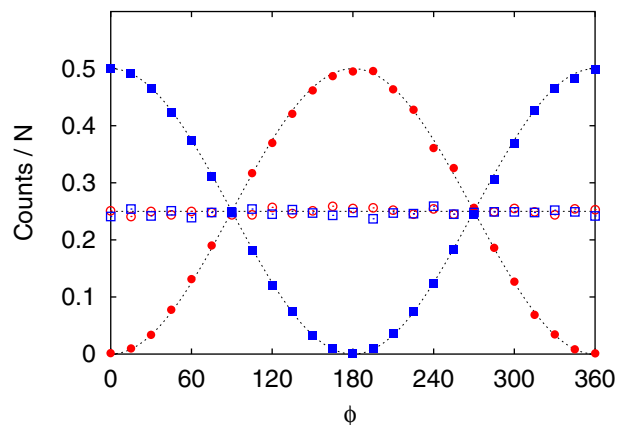


Fig. 4: Event-by-event simulation results of the experimental realization of Wheeler's delayed-choice gedankenexperiment. Open (closed) markers correspond to data for the open (closed) configuration of the interferometer. Squares and circles give the simulation results for the normalized intensities  $N_0/N$  and  $N_1/N$  as a function of the phase shift  $\phi$ ,  $N_0$  ( $N_1$ ) denoting the number of events registered at detector  $D_0$  ( $D_1$ ). For each value of  $\phi$ , the number of input events  $N = 10000$ . The number of detection events per data point is approximately the same as in experiment. The simulation data is in qualitative agreement with experiment: See fig. 3 of ref. [3]. Dashed lines represent the results of quantum theory (Malus law).

after the  $n$ -th message (=photon) has passed the first PBS, determining whether or not a voltage is applied to the EOM (hence whether the configuration is open or closed). The angle  $\phi$  denotes the phase shift between the two interferometer arms. This phase shift is varied by applying a plane rotation on the phase of the particles entering channel 0 of the second PBS. This corresponds to tilting the second PBS in the laboratory experiment [3]. For each phase shift  $\phi$  and interferometer configuration (open or closed) the number of 0 (1) output events  $N_0$  ( $N_1$ ) is calculated.

**Simulation results.** – The algorithm described above directly translates into a simple computer program. For a fixed set of input parameters, each simulation takes a few seconds on a present-day PC. All simulations are carried out with  $\alpha = 0.99$  [17].

We first demonstrate that our model for the PBS reproduces Malus' law. In this simulation, we send messengers to one input channel, say channel 0, only. This implies that the registers that are connected to channel 1 will not change during the simulation. Figure 3 shows a representative set of event-based simulation results for the PBS modeled by the processor depicted in fig. 2. The data set is produced with input messages  $(\cos \psi_0^H, \sin \psi_0^H, \cos \psi_0^V, \sin \psi_0^V, \cos \xi_0, \sin \xi_0)$ . The values of  $\psi_0^H$  and  $\psi_0^V$  are fixed but irrelevant otherwise. Also the value of  $\xi_0$  is irrelevant. It is clear that the intensities in both output channels obey Malus' law.

Next, we build a network that contains all the optical components of the laboratory experiment [3] (see fig. 1).

Before the simulation starts we set  $\mathbf{x}_0 = (x_{0,0}, x_{1,0}) = (r, 1-r)$ , where  $r$  is a uniform pseudo-random number. In a similar way we use pseudo-random numbers to initialize  $\mathbf{Y}_{0,0}^H$ ,  $\mathbf{Y}_{0,0}^V$ ,  $\mathbf{Y}_{0,0}^P$ ,  $\mathbf{Y}_{1,0}^H$ ,  $\mathbf{Y}_{1,0}^V$  and  $\mathbf{Y}_{1,0}^P$ . In this simulation, we send messengers to one input channel (see fig. 1). The HWP in  $\text{BS}_{\text{output}}$  changes the phases and also interchanges the roles of channels 0 and 1. Disregarding a few exceptional events, the PBS in  $\text{BS}_{\text{output}}$  generates messages in one of the channels only.

Representative results of an event-by-event simulation of this network, a one-to-one image of Wheeler's delayed-choice experiment [3], are shown in fig. 4. The simulation data are in quantitative agreement with the averages calculated from quantum theory and in qualitative agreement with experiment [3].

**Conclusion.** – In this letter, we have proven that it is possible to give a particle-only description for both the open and closed interferometer configuration in Wheeler's delayed-choice experiment that 1) reproduces the averages calculated from quantum theory, 2) satisfies Einstein's criteria of realism and local causality, 3) does not rely on any concept of quantum theory or of probability theory, and 4) is not in conflict with common sense.

## REFERENCES

- [1] HOME D., *Conceptual Foundations of Quantum Physics* (Plenum Press, New York) 1997.
- [2] WHEELER J. A., in *Mathematical Foundations of Quantum Theory, Proceedings of the New Orleans Conference on the Mathematical Foundations of Quantum Theory*, edited by MARLOW A. R. (Academic, New York) 1978 (reprinted in *Quantum Theory and Measurements*, edited by WHEELER J. A. and ZUREK W. H. (Princeton University Press, Princeton, NJ) 1983, pp. 182–213).
- [3] JACQUES V., WU E., GROSSHANS F., TREUSSART F., GRANGIER P., ASPECT A. and ROCH J.-F., *Science*, **315** (2007) 966.
- [4] HELLMUT T., WALTHER H., ZAJONC A. and SCHLEICH W., *Phys. Rev. A*, **72** (1987) 2533.
- [5] BALDZUN J., MOLHER E. and MARTIENSSEN W., *Z. Phys. B*, **77** (1989) 347.
- [6] LAWSON-DAKU B. J., ASIMOV R., GORCEIX O., MINIATURA C., ROBERT J. and BAUDON J., *Phys. Rev. A*, **54** (1996) 5042.
- [7] KAWAI T., EBISAWA T., TASAKI S., HINO M., YAMAZAKI D., AKIYOSHI T., MATSUMOTO Y., ACHIWA N. and OTAKE Y., *Nucl. Instrum. Methods A*, **410** (1998) 259.
- [8] KIM Y. H., YU R., KULIK S. P., SHIH Y. and SCULLY M. O., *Phys. Rev. Lett.*, **84** (2000) 1.
- [9] GRIMMET G. R. and STIRZAKER D. R., *Probability and Random Processes* (Clarendon Press, Oxford) 1995.
- [10] TRIBUS M., *Rational Descriptions, Decisions and Designs* (Expira Press, Stockholm) 1999.
- [11] JAYNES E. T., *Probability Theory: The Logic of Science* (Cambridge University Press, Cambridge) 2003.
- [12] HONERKAMP J., *Statistical Physics* (Springer, Berlin) 2002.
- [13] BALLENTINE L. E., *Quantum Mechanics: A Modern Development* (World Scientific, Singapore) 2003.
- [14] JAYNES E. T., *Clearing up mysteries - The original goal in Maximum Entropy and Bayesian Methods*, edited by SKILLING J., Vol. **36** (Kluwer Academic Publishers, Dordrecht) 1989.
- [15] HESS K. and PHILIPP W., *Proc. Natl. Acad. Sci. U.S.A.*, **98** (2001) 14228.
- [16] HESS K., PHILIPP W. and ASCHWANDEN M., *Int. J. Quantum. Inf.*, **4** (2006) 585.
- [17] DE RAEDT H., DE RAEDT K. and MICHIELSEN K., *Europhys. Lett.*, **69** (2005) 861.
- [18] DE RAEDT K., DE RAEDT H. and MICHIELSEN K., *Comput. Phys. Commun.*, **171** (2005) 19.
- [19] DE RAEDT H., DE RAEDT K. and MICHIELSEN K., *J. Phys. Soc. Jpn. Suppl.*, **76** (2005) 16.
- [20] MICHIELSEN K., DE RAEDT K. and DE RAEDT H., *J. Comput. Theor. Nanosci.*, **2** (2005) 227.
- [21] DE RAEDT K., KEIMPEMA K., DE RAEDT H., MICHIELSEN K. and MIYASHITA S., *Eur. Phys. J. B*, **53** (2006) 139.
- [22] DE RAEDT H., DE RAEDT K., MICHIELSEN K., KEIMPEMA K. and MIYASHITA S., *J. Phys. Soc. Jpn.*, **76** (2007) 104005.
- [23] DE RAEDT K., DE RAEDT H. and MICHIELSEN K., *Comput. Phys. Commun.*, **176** (2007) 642.
- [24] DE RAEDT H., DE RAEDT K., MICHIELSEN K., KEIMPEMA K. and MIYASHITA S., *J. Comput. Theor. Nanosci.*, **4** (2007) 957.
- [25] ZHAO S., DE RAEDT H. and MICHIELSEN K., *Found. Phys.*, **38** (2008) 322.
- [26] GRANGIER P., ROGER G. and ASPECT A., *Europhys. Lett.*, **1** (1986) 173.
- [27] ASPECT A., GRANGIER P. and ROGER G., *Phys. Rev. Lett.*, **49** (1982) 91.
- [28] ASPECT A., DALIBARD J. and ROGER G., *Phys. Rev. Lett.*, **49** (1982) 1804.
- [29] WEIHS G., JENNEWAIN T., SIMON C., WEINFURTH H. and ZEILINGER A., *Phys. Rev. Lett.*, **81** (1998) 5039.
- [30] BORN M. and WOLF E., *Principles of Optics* (Pergamon, Oxford) 1964.